

National
Dealer
Conference
2024

Irwan Mukmin

**Regional Product &
Solution Manager -IND APAC**

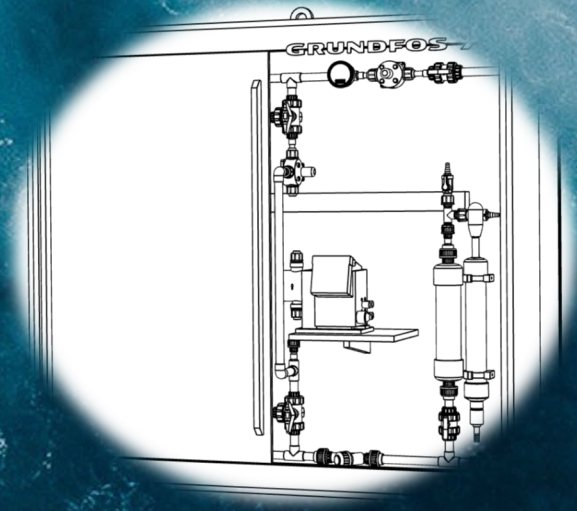
New Product : Dosing Skid

GRUNDFOS 

Possibility in every drop

Dosing Skid Kits

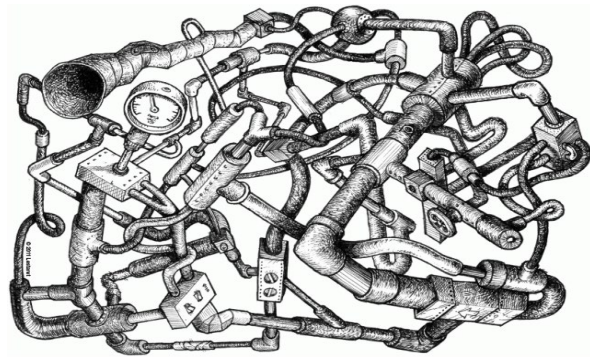
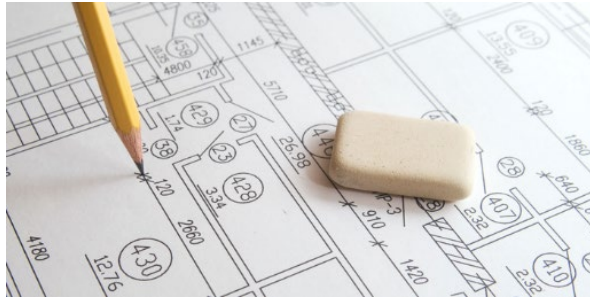
September 2024



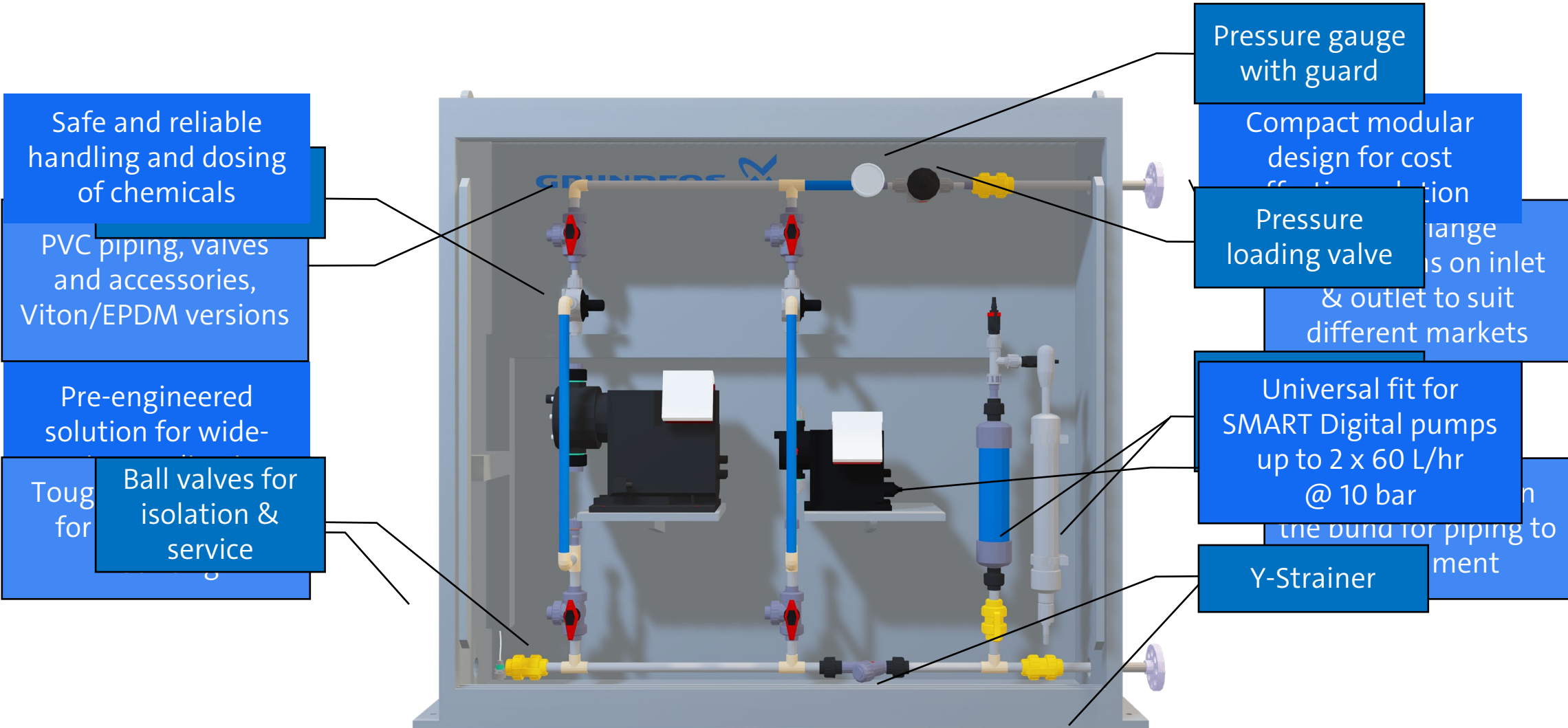
GRUNDFOS 

Possibility in every drop

Dosing Systems



Grundfos Dosing Skid Kit

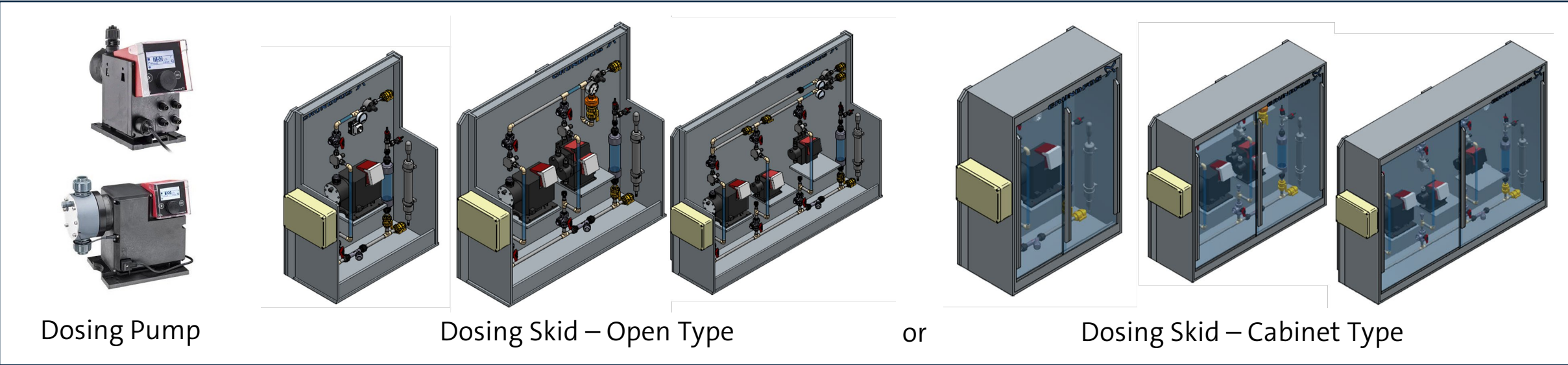
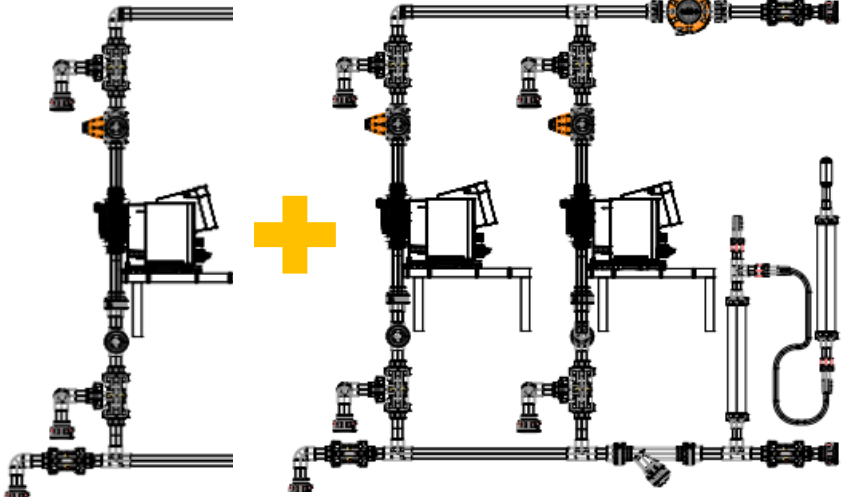


Dosing Skid Pre-Engineered Range



Three hydraulic configurations:

- 1) Duty
- 2) Duty / Standby
- 3) 2 Duty / 1 Standby



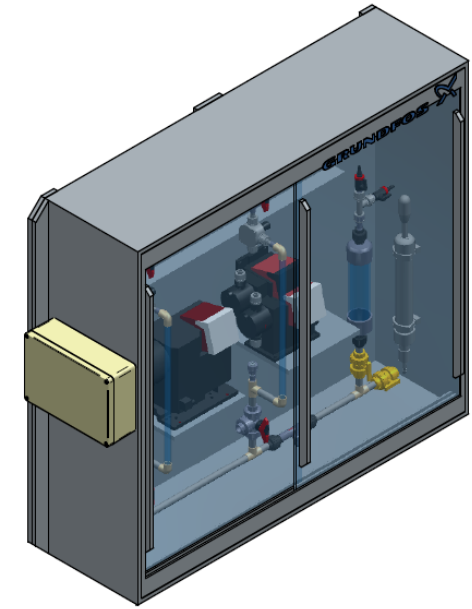
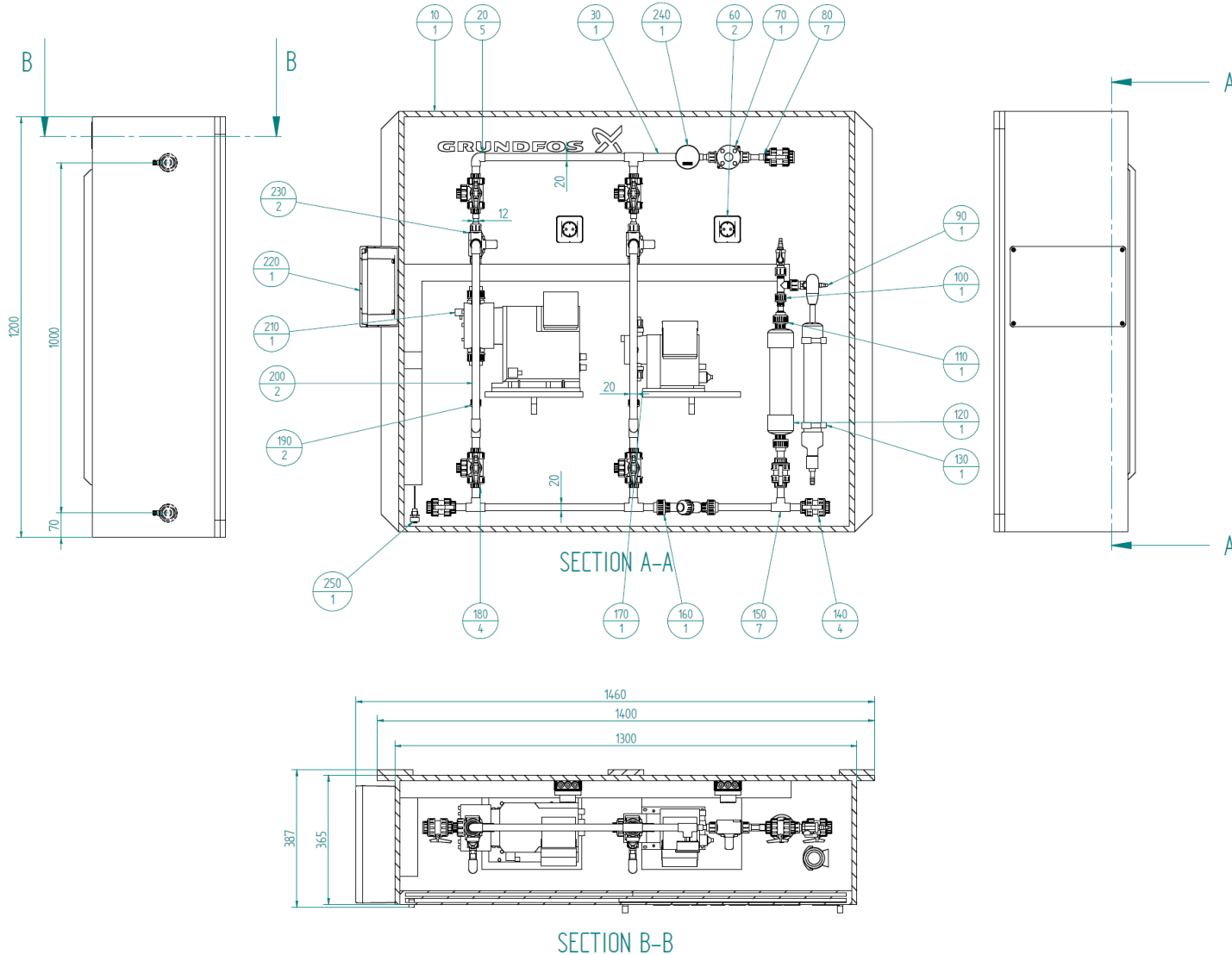
Dosing Pump

Dosing Skid – Open Type

or

Dosing Skid – Cabinet Type

Single Supplier with detailed documentation



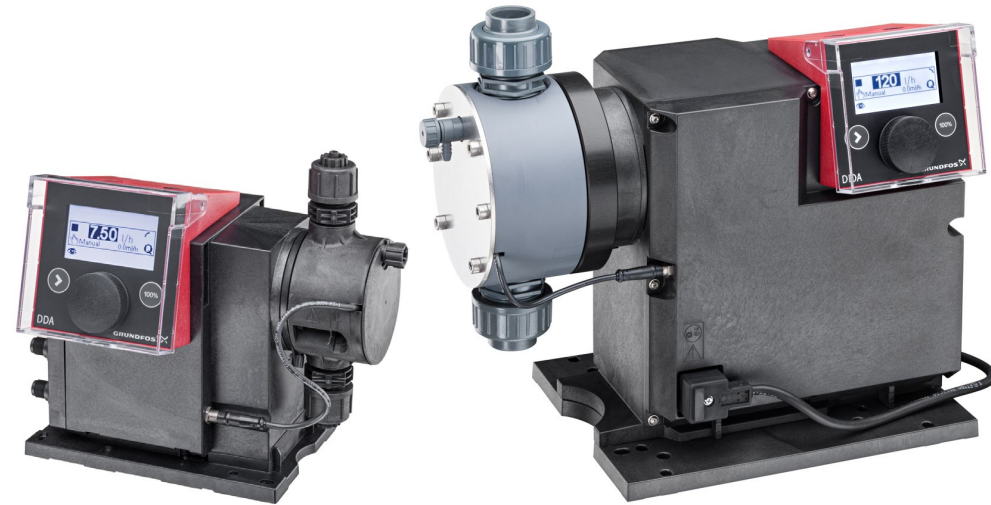
250*	98466982	Miniature float switch 201 120
240*		Pressure gauge 0.25"-D63
230	95730774	PRV-G5/8-10 PVC/V/E U2
220		terminal box 200x300x130
210		Model is DDA60
200		Piping DN15-450 Glass
190	92707746	DN8 Union with hose connection
180		Ball valve-3 way DN15 PN10 UPVC
170		Model is SM DDA
160	99322034	Y-type filter, uPVC/EPDM, DN15/D20
150	98450310	TEE DN15 PN16 UPVC
140	95735194	ball valve, uPVC/EPDM, DN15/D20
130	99218131	Unit Vacuum pump, ball valve, PVC, V
120		Calibration column 0.5L DN15-N
110		Socket_union_PVC DN15
100	92707746	Union DN8/D12 PN16 UPVC
90	96688394	Ball valve PVC for 2-nd unit Vacuum pump
80	92992895	PRO-FIT Reducing Bushes D20xd12
70	95730742	PLV-G5/8-3 PVC/EPDM DN08
60		Junction box+power socket
30		Piping DN15-130 Glass
20	98421493	90elbow DN15 PN16 UPVC
10		Frame for 2 pump ASS
Item No.	PN	Description

Compatible with SMART Digital Dosing



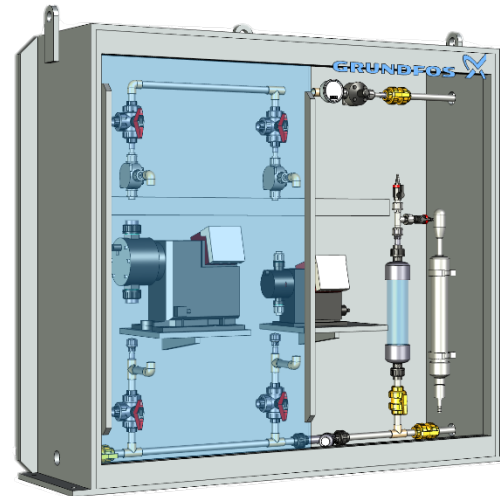
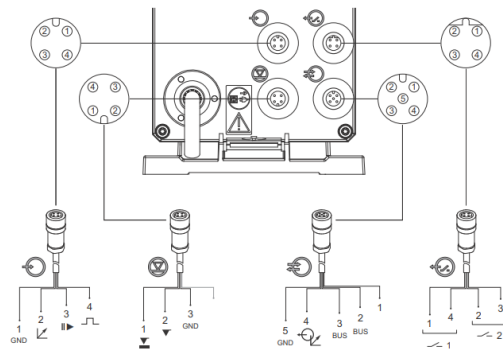
Skid designed for use with Grundfos pump models:

- DDA 7.5-16, 12-10, 17-7, 30-4 and 60-10
- DDC 6-10, 15-4
- DDE 6-10, 15-4, 60-10

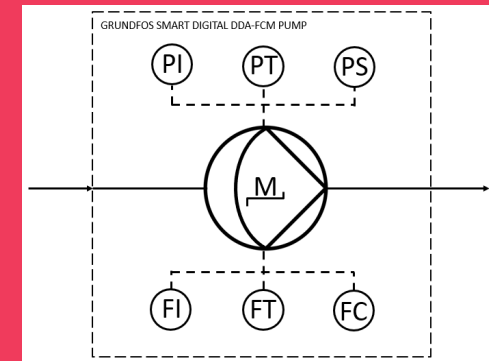


Includes control cables, 1 per pump:

- Control input (analog input, ext. stop), 5m
- Relay output, 5m
- Analog output, 5m

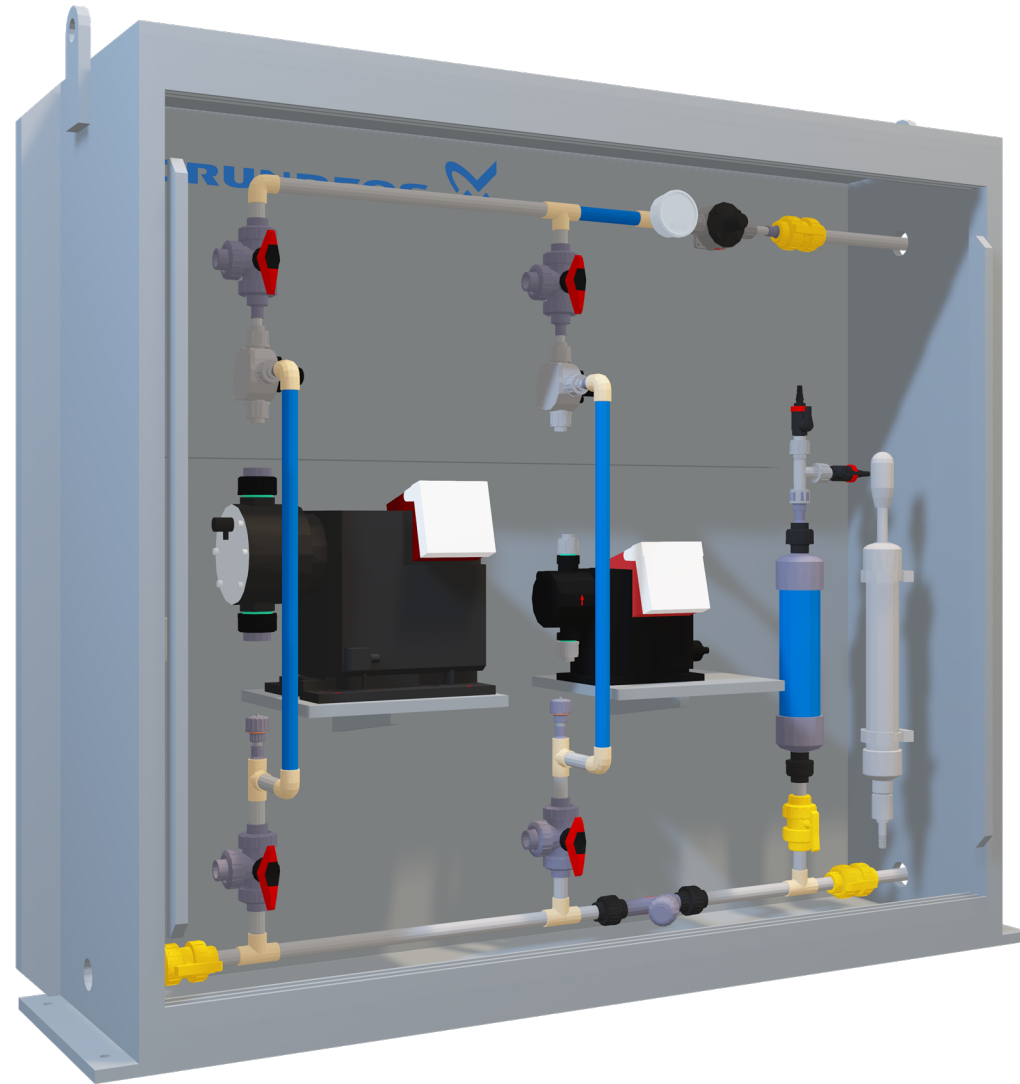


Flow Intelligence for process reliability



The solution for demanding applications

Coming Soon



Comments and questions?